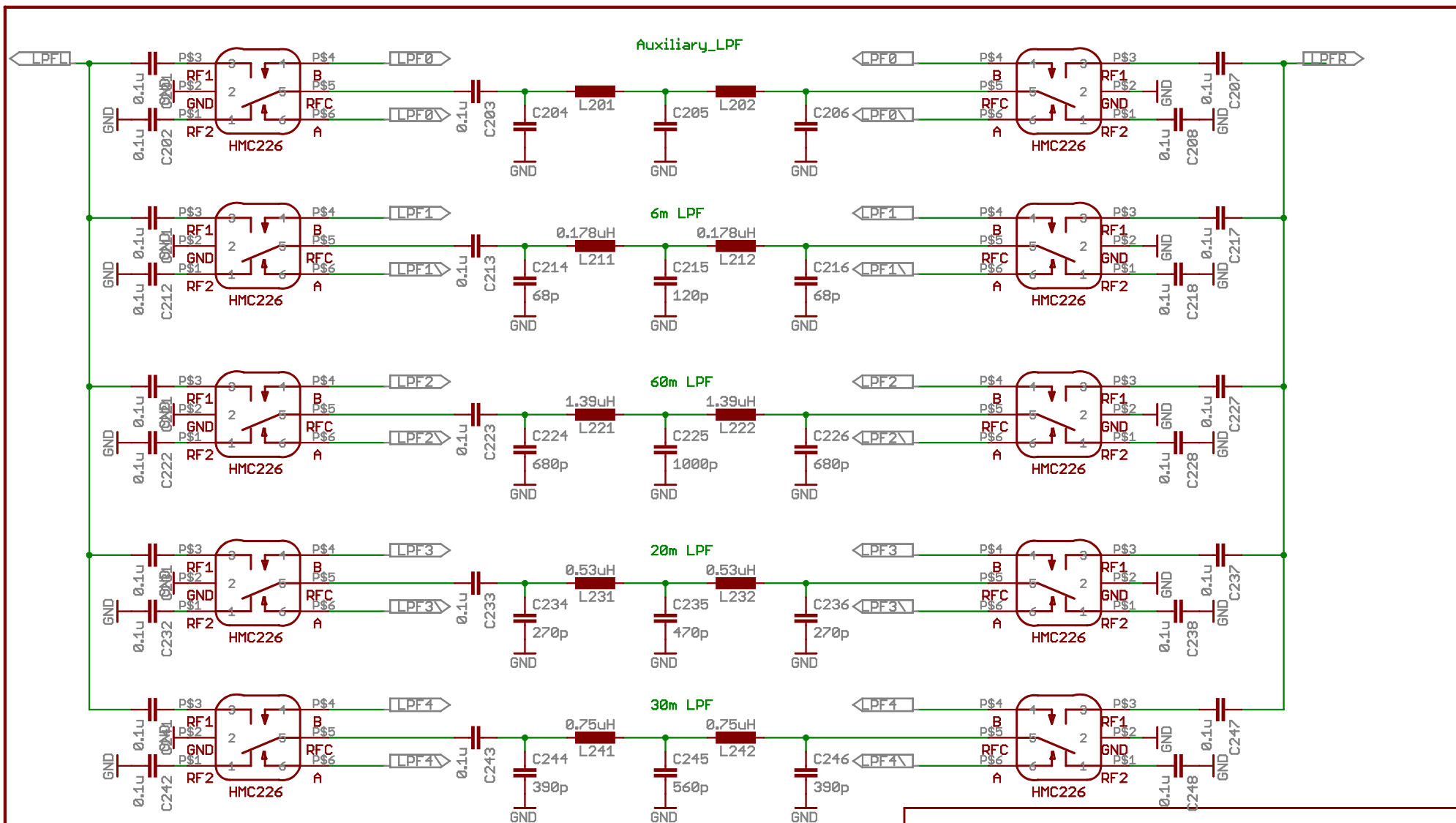


RFE_Control	
TITLE: RFE_V09	
Document Number:	REV:
Date: 02.08.2009 10:48:28	Sheet: 2/6



### Low Pass Filter I

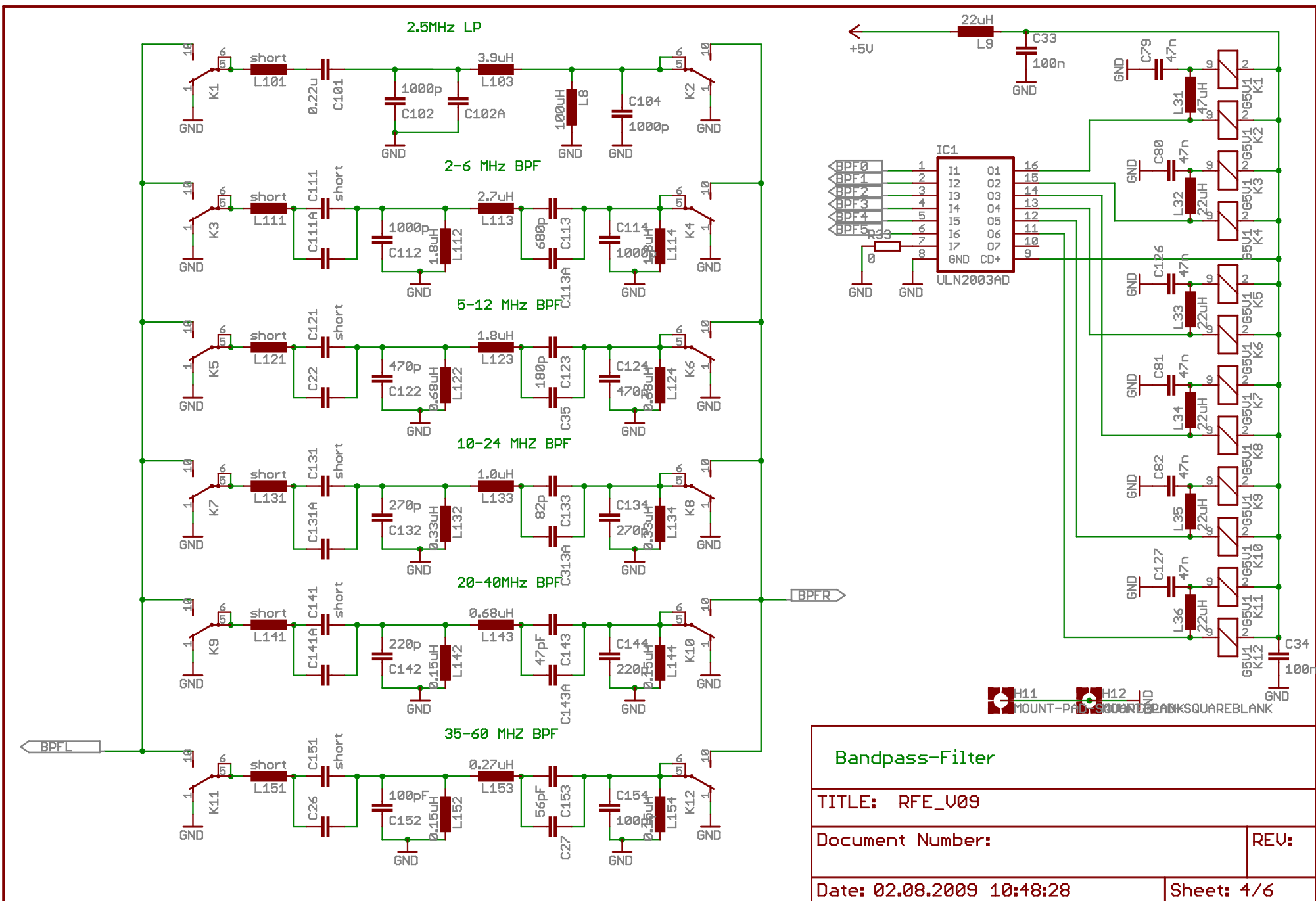
TITLE: RFE\_V09

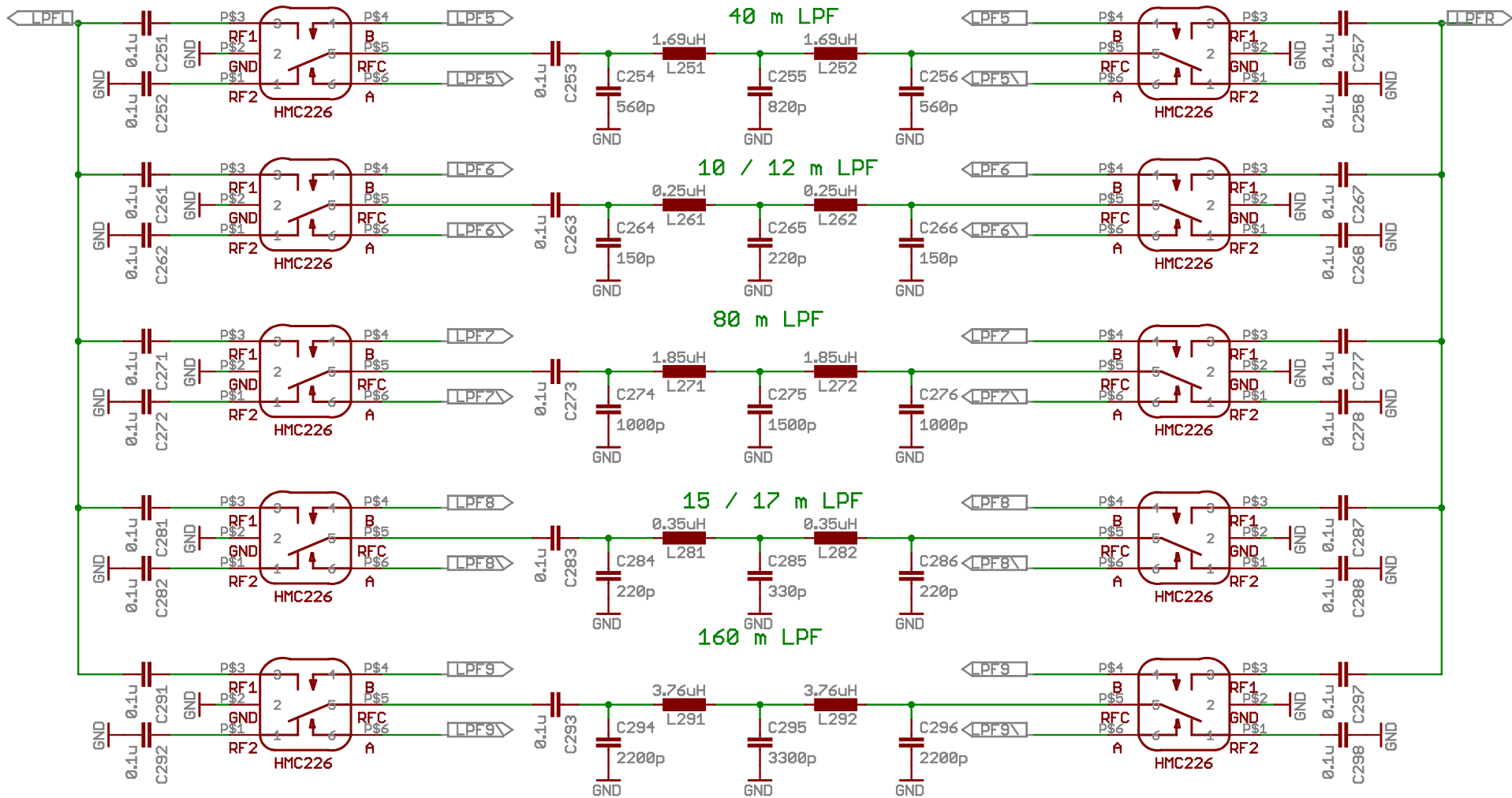
Document Number:

REV:

Date: 02.08.2009 10:48:28

Sheet: 3/6





### Low Pass Filter II

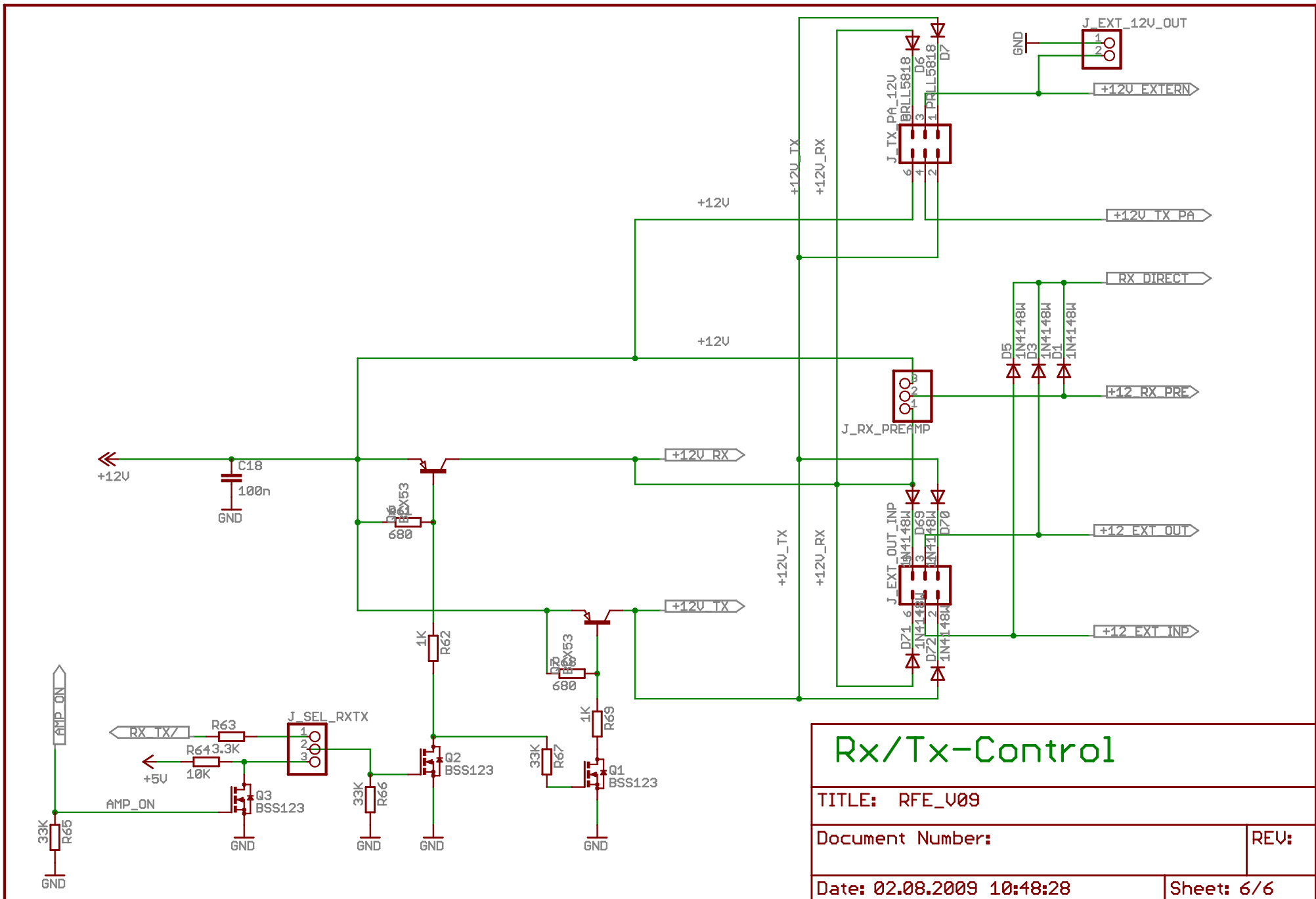
TITLE: RFE\_V09

Document Number:

REV:

Date: 02.08.2009 10:48:28

Sheet: 5/6



<h2>Rx/Tx-Control</h2>	
TITLE: RFE_V09	
Document Number:	REV:
Date: 02.08.2009 10:48:28	Sheet: 6/6