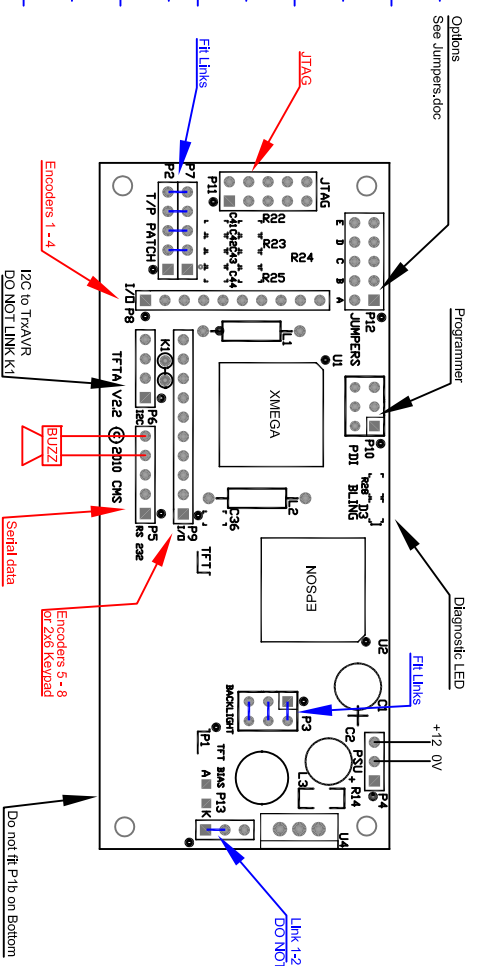
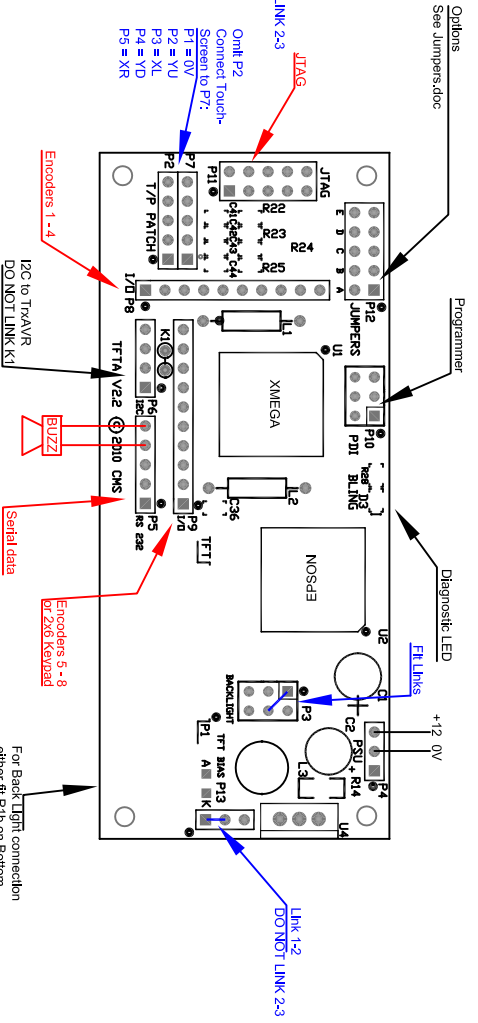


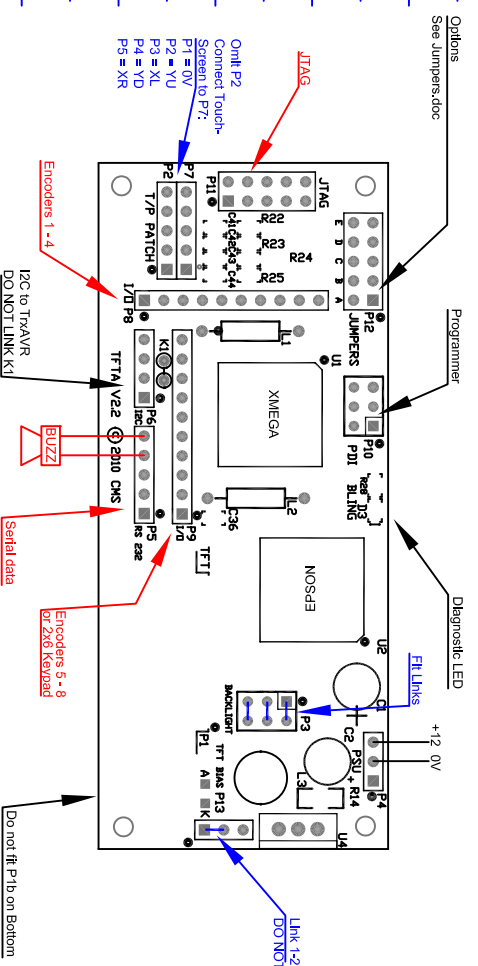
Type1: 40-way connector with Integrated Touch Screen and Back Light



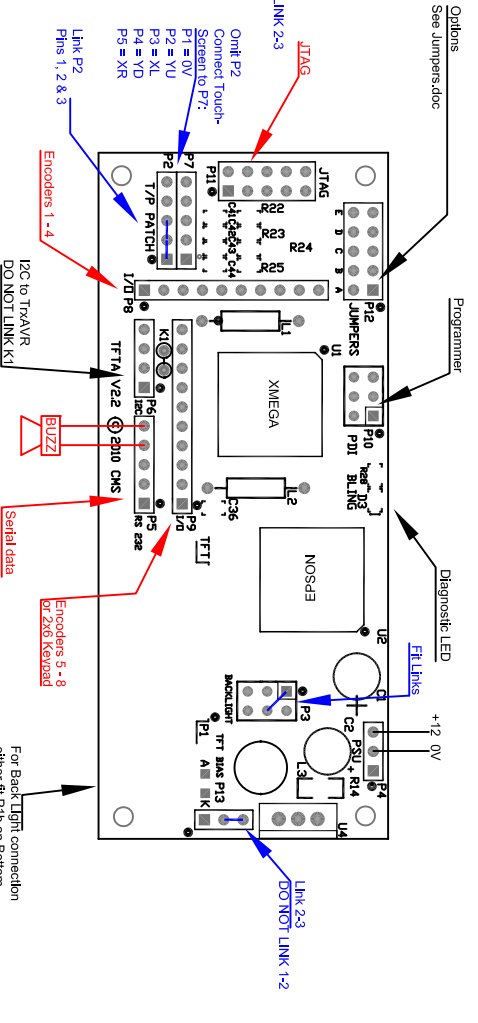
Type3: 40-way connector with separate Back Light FPC and separate Touch Screen



Type2: 40-way connector with Back Light and separate Touch Screen



Type4: PlayStation Portable compatible



For Back Light connection either fit P10 on Bottom (top connect 4 way FPC connector) or solder four way FPC to top of PCB or make an adaptor to pins A & K on PCB.

For Back Light connection either fit P10 on Bottom (top connect 4 way FPC connector) or solder four way FPC to top of PCB or make an adaptor to pins A & K on PCB.

Note:
It is suggested that you only fit connectors and links for the options you plan to use.
R22 = R23 = Touch Screen X resistance / 8.
R24 = R25 = Touch Screen Y resistance / 8.

Connectors for 40-way TTT Types: With Touch Screen

TF1A V2.2

V1.2 CMS 23/08/2010